

COMPUTHERM B300

Wi-Fi thermostat



User Manual



COMPUTHERM B Series

TABLE OF CONTENTS

1. A GENERAL DESCRIPTIONS OF THE THERMOSTAT	4
2. IMPORTANT WARNINGS AND SAFETY RECOMMENDATIONS	6
3. MEANING OF THE LED LIGHTS ON THE THERMOSTAT	8
4. LOCATION OF THE TEMPERATURE SENSOR AND THE THERMOSTAT	8
5. INSTALLATION OF THE THERMOSTAT	9
5.1. Installing the thermostat	10
5.2. Connecting the device to be controlled	10
5.3. Connecting the thermostat to the mains supply	12
5.4. Connecting the thermostat sensor	12
6. SETTING UP INTERNET CONTROL	12
6.1. Creating user account	12
6.2. Connecting the thermostat to wi-fi network and the user account	14
7. OPERATION OF THE INSTALLED THERMOSTAT	16
8. SETTINGS RELATED TO THE USAGE OF THE THERMOSTAT	17
9. USING ADDITIONAL TEMPERATURE SENSORS	23
10. OPERATING MODES AND PROGRAMING OF THE THERMOSTAT	24
11. PRACTICAL ADVICE, TACKLING ANY PROBLEMS THAT MAY OCCUR	29
12. PRODUCT INFORMATION AND TECHNICAL DATA	31

1. A GENERAL DESCRIPTIONS OF THE THERMOSTAT

A **COMPUTHERM B300** Wi-Fi thermostat is a switching device that can be operated by a smartphone, tablet or computer via Internet, and we especially recommend it for controlling central heating systems but suitable for irrigation systems, garage doors, for remote control of doors and other electrical appliances and programmed also control. It can be easily connected to any gas boiler having a two-wire thermostat connection point and to any air conditioning apparatus or electrical apparatus, regardless of whether they have a 24 V or 230 V control circuit. See Chapter 5 for installation, connection of the thermostat.

The device can be easily controlled via the Internet and its operating status (ON / OFF) can be continuously monitored. The device also offers the possibility of automatic control based on temperature and time. Multiple thermostats, even installed in different locations, can be registered and controlled by using the same user profile.

A **COMPUTHERM B300** Wi-Fi thermostats can be used to control:

- gas boilers
- an existing heating/cooling system remotely
- electric water heaters

- solar systems
- irrigation systems
- external and internal lighting
- certain groups of other electric devices

With the help of the product the heating/cooling system of your flat, house or holiday home can be made controllable from any place and at any time. This product is especially useful when you do not use your flat or house according to a predefined schedule, you leave your home for an uncertain period of time during the hating season or you intend to use your holiday home during the heating season as well.

The simultaneous use of several **COMPUTHERM** room thermostats and one **COMPUTHERM Q4Z** zone controller provides the possibility for the thermostats to also control a pump or a zone valve in addition to starting the heater or cooler. This way it is easy to divide a heating / cooling system into zones, thanks to which the heating / cooling of each room can be controlled separately, thus greatly increasing comfort. Furthermore, the zoning of the heating / cooling system will greatly contribute to the reduction of energy costs, as due to this only those rooms will be heated / cooled at any time where it is required.

2. IMPORTANT WARNINGS AND SAFETY RECOMMENDATIONS

- Before starting to use the device, please study carefully the instructions for use and follow strictly the instructions therein.
- The thermostat was designed for business or household (not industrial) use, and can be used to control any electric device whose performance does not exceed 3.6 kW (loadability: max 30 V DC / 250 V AC; 16 A [4 A inductive]).
- Before starting to use the thermostat, make sure that the Wi-Fi network is reliably accessible at the place where you intend to use the apparatus.
- This device has been designed for indoor use. Do not use it in a humid, dusty or chemically aggressive environment.
- This device is a thermostat that can be controlled via a wireless Wi-Fi network. To prevent jamming, keep it away from such electric equipment which may interfere with wireless communications.
- The manufacturer will assume no responsibility for any possible direct or indirect damages or income losses incurring during the use of the device.

- The device will not work without power supply, but the thermostat is able to memorize settings. In case of power failure (outage) it can resume operation without any external intervention after the power supply is restored. If you intend to use the device in an environment where power outages occur frequently, for safety purposes we propose you to control proper operation of the thermostat regularly.
- **Before actually starting to control the device connected to the thermostat, make sure that the device is perfectly functioning when it is controlled by the thermostat and it can be operated reliably.**
- The software of the thermostat and the telephone application is constantly upgraded and updated. For proper operation please check regularly whether there is any accessible software or telephone application update, and always use their latest version! Due to constant updates it is possible that some functions of the device and the applications operate and appear in a way other than described in these instructions for use.

3. MEANING OF THE LED LIGHTS ON THE THERMOSTAT

The operating status of the thermostat is indicated by a red and a blue LED as detailed below:

- The normally status of the device is indicated by a steady blue LED, which stops briefly every few seconds.
- The fast connecting mode of the device (**SMART CONFIG**) is indicated by the blue LED that flashes every 0.25 seconds.
- The **AP** connecting mode is indicated by the blue LED flashing every 1 second.
- If the receiver unit output is on, the red LED is lit continuously.

4. LOCATION OF THE TEMPERATURE SENSOR AND THE THERMOSTAT

It is expedient to place the temperature sensor in a room used regularly or for a prolonged stay, so that it is located in the direction of natural air movement in the room, but do not expose it to draughts of air or extreme heat effects (e.g. solar radiation, refrigerator or chimney). Do not use the thermostat and the temperature sensor in wet, chemically aggressive or dusty environment. If possible, we recommend that you install the thermostat at a distance of at least 1-2 m from the

boiler and other large metal structures, at a height of 1.5-2 m, to ensure interference-free Wi-Fi communication. We recommend that you check the reliability of the Wi-Fi connection at the selected location before installing the thermostat. Its optimal position is at a height of 0.75 - 1.5 m from the floor level.

IMPORTANT WARNING! If the radiator valves in your flat are equipped with thermostat head then set the thermostat head to maximum level in the room where you intend to locate the room thermostat or replace the thermostat head of the radiator valve with manual regulating knob, otherwise the thermostat head may disturb the temperature control in the flat.

5. INSTALLATION OF THE THERMOSTAT

Attention! Make sure that the **COMPUTHERM B300** thermostat and the apparatus to be controlled are de-energized while putting them into operation. The device should be installed and put into operation by a competent person! If you do not possess the necessary skills and qualifications, please get in touch with an authorized service.

Caution! The modification of the device poses a risk of electric shock or breakdown!

5.1. Installing the thermostat

The DIN rail in the thermostat package allows the thermostat to be mounted on a wall. To do this, remove the screws and dowels in the plastic bag from the packaging and use them to secure the DIN rail on the wall. Then snap the thermostat onto the DIN rail.

5.2. Connecting the device to be controlled

The central unit controls the boiler or air conditioner through a potential-free alternating relay with connection points: **NO**, **COM** and **NC**. The connection points for the room thermostat of the heating or cooling device to be controlled should be connected to the **NO** and **COM** terminals of the terminal that are normally open (Figure 1).

In case the device to be controlled does not have a thermostat connection point, the power supply wire of the device must be cut off and connected to the **NO** and **COM** connection points (on right terminal the middle and right connection points) of the thermostat (Figure 2).

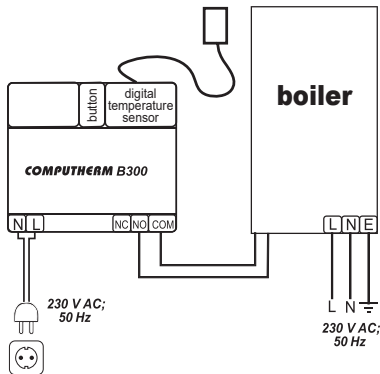


Figure 1

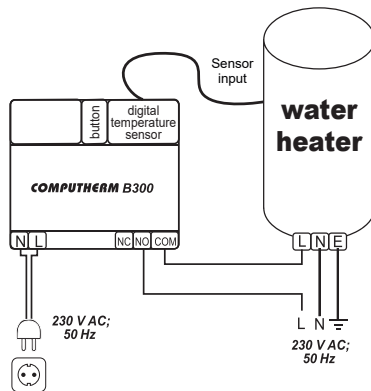


Figure 2

For the connection and control of garage doors and other devices that require a impulse function, we recommend to check the information materials of the **COMPUTHERM B220 Wi-Fi remote control** available on our website at www.computherm.info.

5.3. Connecting the thermostat to the mains supply

The 230 V mains supply should be connected to terminal (N-L) on the left side of the thermostat with a two-wire cable (Figure. 1). It is not necessary to pay attention to the phase correctness when connecting the power supply. It is not necessary to connect a ground wire because the product is double insulated.

5.4. Connecting the thermostat sensor

To connect the temperature sensor, first remove the plastic cover from the opposite side of thermostat terminals, then connect the temperature sensor to the connector on the device. Then replace the plastic cover. The connection of the temperature sensor is shown in Figure 3.

6. SETTING UP INTERNET CONTROL

6.1. Creating user account

The thermostat can also be controlled from a smartphone, tablet (with a free app), a computer (via a web interface). For smartphones and tablets, the free **COMPUTHERM**



Figure 3

B Series app can be downloaded for iOS and Android operating systems. The applications accessible through the following link or using QR code:



https://computherm.info/en/wi-fi_thermostats

A user account must be created to control the thermostat. This can be done in the browser at **<https://computhermbseries.com/>** and in the phone application. An e-mail address, name and password are required for registration. You can also log in with an existing Facebook or Google account to control the product without registration. After registration, you must log in to the created user account. The **COMPUTHERM B300** thermostat in addition to manual on / off, it can only be controlled via the Internet by logging in to the user account associated with the device.

6.2. Connecting the thermostat to Wi-Fi network and the user account

To be able to control the device remotely, the thermostat needs to be connected to the Internet via a Wi-Fi network. The already set **COMPUTHERM B300** can work according to a pre-set program without the need for a permanent internet connection.

Attention! The thermostat can only be connected to a 2,4 GHz Wi-Fi network.

Once the thermostat is set up, the connection to the Wi-Fi network can be started. To do this, press the button on the side of the central unit for 3 seconds until the blue LED starts flashing rapidly (4 flashes every second).

Attention! Pressing and holding the button on the device for 3 seconds will clear the previous Wi-Fi settings!

The pairing state of product is indicated by the flashing blue LED. There are 2 options to connect the product to a Wi-Fi network and add it to a user account:

- **SmartConfig:**

If you use the **COMPUTHERM B Series** application, you can have a quick synchronization. To use this press and hold the button on side of product 3 seconds to activate „**SMART CONFIG**” mode (blue LED flashes every 0.25 seconds). Enable the Wi-Fi connection on your smartphone or tablet and connect

your device to the **2.4 GHz Wi-Fi network** to which you want to connect the thermostat. Turn on the location service (GPS location data) on your phone and give all the requested permissions to the application in order to work properly. After logging in within the app, touching the “+” icon in the upper right corner will bring up the sync menu. Touching the “**SMART CONFIG**” button will bring up a new page. The name of the Wi-Fi network you want to use appears in the line below the “**SSID**” text and the corresponding password must be typed. Then, by touching the “**Search**” button, the thermostat will connect to the Internet after a short time and will be added to the user account you are currently using.

- **Access Point (Wi-Fi AP):**

If you want to connect the product in the traditional way (eg. by using a web browser),

you need to connect it to your Wi-Fi network starting with the word “**COMPUTHERM**” or “**BBoil**” created by the thermostat on your smartphone, tablet or laptop. Then, on the automatically opened page, select the local Wi-Fi network you want to use and enter the corresponding password. Then click the “**Connect!**” to connect your device to a Wi-Fi network. If the above page does not appear on your device, type the IP address **192.168.10.1** into your

browser. The aforementioned connection can be made on the page that appears here. If the connection was successful, the blue LED on the thermostat is continuously lit with short interruptions.

Then the product must be assigned to a user account. To do this, log in to the previously created account and click on the “+” icon in the upper right corner of the main page. Click on “**Serial Number**” to open the “**Add Device**” tab. Enter the 10-digit serial number from the top of the central unit. When entering the serial number, you do not have to pay attention to the use of uppercase and lowercase letters. You can then add the device to the user account by clicking the “**SEARCH**” button.

7. OPERATION OF THE INSTALLED THERMOSTAT

The thermostat controls the device connected to it (e.g. gas boiler or pump) based on the measured temperature and the currently (manually or programmed) set temperature, taking into account the switching sensitivity of the thermostat (factory default ± 0.1 °C). This means that if the thermostat is set to heating mode and 22 °C, then with a switching sensitivity of ± 0.1 °C the connection points **NO** and **COM** of the output relay are closed below 21.9 °C (heating is turned on) and opened at temperatures above 22.1 °C (heating is turned off). In cooling mode, the relay switches exactly the opposite way.

8. SETTINGS RELATED TO THE USAGE OF THE THERMOSTAT


a) User profile settings

Click the “☰” icon in the upper right corner to select the “**Profile**” menu. Here you can change the user’s name, phone number and e-mail address. You can also set the language you want to use. After logging in, the user will see the thermostat interface in the selected language. Click the “**SEND**” button to save the changes. You can return to the main menu by clicking the icon in the upper left corner.

The “**Shared devices**” menu item allows you to share the devices attached to the user account with other users. To do this, you need to select the device you want to share, set the share authorization level (limited authorization / full authorization), and enter the email address of the other user account. You can change the password used to log in by selecting the “**Change password**” menu item by clicking on the “☰” icon in the upper right corner. Click the “**SAVE**” button to save the changes. You can return to the main menu by clicking the icon in the upper left corner. You can exit the user account by clicking on the “☰” icon in the upper right corner and clicking on the “**Logout**” menu item.


A product can only be assigned to one user account at a time. In case two or more separate users want to control the same product, both users must log in to the same user account or share the product with the other user account!

b) Basic settings of the thermostat

On the main screen, click on the „“ icon next to the thermostat's 10-digit serial number to access the thermostat's default settings. Here it is possible to rename the product. This feature is especially useful when controlling multiple thermostats with a single user account because it makes it easier to differentiate devices. It is also possible to select a time zone valid in the thermostat position. This is important because the thermostat sets the correct time via the Internet according to the selected time zone. You can also enter the position of the thermostat under “**Location**”, with this, it is easy to distinguish 2 thermostats located in 2 separate properties.

If more than one thermostat is assigned to a user account, switching between the thermostats is possible by clicking the down arrow located left from the thermostat's name. Here you need to select which device you want to use / configure.

c) Operational settings

Click the “” icon on the right side of the row below the product name to access the operational settings. Here you can change general and temperature settings.

General Settings

• Function

The thermostat can be use at following functions:

- “**Thermostat**” function
- “**Switch**” function
- “**Garage Door/ Impulse**” function

In the case of the “**Thermostat**” function, the relay output of the device switches according to the set temperature and time. They can be specified during programming switching times and associated temperatures.

If the device is operating in the “**Switch**” function, the On / Off state of the relay output does not depend on the temperature. During programming, you only need to specify that the product output is On / Off within the given switching time.

In case of the “**Garage door / Impulse**” function, the device can makes an impulse when pressing the ON button, which can be used to e.g. to control

a garage door. The duration of the impulse can be set freely.

- **Working mode**

By default, the thermostat is in heating mode, according to which its output switches on (**NO-COM**) if the set temperature is higher than the measured temperature, taking into account the switching sensitivity. In the “**Working mode**” menu, you can switch the thermostat to cooling mode. In this case, the output of the thermostat switches in the opposite way.

- **Temperature accuracy**

You can select the accuracy with which the displayed and adjustable temperature values are displayed in the user interface. When “**0**” is selected, temperature values are displayed in 1 °C increments, and when “**0.0**” is selected, in 0.1 °C increments are displayed.

Main sensor's notification limits

By entering the Min. and Max values, you can set temperatures which are constantly monitored, and if the measured temperature goes **below the Min. value** or **above the Max. value**, a warning e-mail or notification is sent.

Temperature groups and sensors

By default, the thermostat has one temperature sensor. The name of this temperature sensor is “**Relay**” according to the factory settings. This can be

changed by typing the text in the box under “**Relay**” in the “**Temperature sensors**” menu. If an additional temperature sensor is connected to the product, then not only one but as many temperature sensors are displayed under the “**Temperature sensors**” menu item as the number of the connected sensors. The name of each connected temperature sensor can be changed.

Attention! Additional temperature sensors are not part of the basic package.

Temperature ranges

It is possible to set the temperature values related to the operation of the thermostat. The “**Minimal**” and “**Maximal**” temperature values under the “**Temperature ranges**” menu item refer to the temperature values that can be selected during programming and manual mode. Clicking on the number displays a drop-down list from which you can select the desired value. The maximum selectable temperature range is -55 °C to +100 °C. It is recommended to set the minimum and maximum temperatures so that they are wide enough for operation, but not unnecessarily large, as this makes it difficult to set the exact temperature later.

Hysteresis (switching sensitivity)

It is possible to set the lower and upper hysteresis (switching sensitivity). By selecting these values, you can specify how much the appliance switches the connected

appliance on/off below/above the set temperature. The lower these values, the more uniform the internal temperature of the room, the greater the comfort. The switching sensitivity does not affect the heat loss of the room (building). It is possible to set the **lower and upper hysteresis** separately. In both cases, you can select a range of hysteresis settings, which specifies the values between which you can adjust the hysteresis, and then use the circular slider to select the actual hysteresis value. In case of higher comfort requirements, the switching sensitivity should be chosen so as to ensure the most constant internal temperature. However, also make sure that the boiler is switched on only several times hourly at low outdoor temperatures (eg -10 °C), as frequent switching off and on will impair the efficiency of the boiler's operation and increase gas consumption.

Both the lower and upper hysteresis can be set between 0.0 °C and 74.0 °C (in 0.1 °C increments). Except some special cases, we recommend setting 0.1 °C (factory default setting) or 0.2 °C for both values.

See Chapter 7 for more information about switching sensitivity.

9. USING ADDITIONAL TEMPERATURE SENSORS

The **COMPUTHERM B300** Wi-Fi thermostat for accurate temperature measurement has a three-wire digital temperature sensor. For the product's temperature sensor a 1 m long three-wire cable is standard. If the length of the wire is not sufficient to properly position the temperature sensor, then it is possible to by extend the wires (color correctly)with a maximum of 50 m distance from the thermostat.

If more temperature sensors are needed, break all wires of the temperature sensors, and connect them in parallel color correctly . In this case, the temperature measured by all temperature sensors is displayed in the user profile. The thermostat can control its output based on only one temperature sensor. If more temperature sensors are used, it is not possible to choose according to which sensor the controlling works, it depends on the factory code of the temperature sensor. Before install the controlled device, determine which sensor is working as controller sensor.

Attention! Additional temperature sensors are not part of the basic package.

Attention! To one **COMPUTHERM B300** device max. 4 wired temperature sensors can be paired.

10. OPERATING MODES AND PROGRAMING OF THE THERMOSTAT

After logging into the user account, the main page contains the operating settings of the thermostat. Using the drop-down tab in the top row, the control interface is displayed after selecting the thermostat you want to use. At the top of this surface the measured temperature and humidity, followed by the menu bar for the thermostat. Below this, the measured temperature by the additional sensors that may be connected, are displayed as well as the desired temperature and operating mode setting interface.

The thermostat has the following operating modes:

- “**Off**” mode
- “**Manual**” mode
- “**Schedule**” mode
- “**Boost**” mode
- “**Manual mode by button**” with the use of the button on the thermostat

Attention! The “**Garage door/impulse**” function is only available in **Manual** mode.

You can switch between the operating modes by clicking on the button corresponding to the names. To activate the “**Boost**”, drag the slider below the name.

a) “Off” mode

In this case, the thermostat’s output is off until the user switches the device to another mode.

b) “Manual” mode

In this mode, a desired temperature can be set on the slider. The thermostat’s output switches on if the measured temperature is lower than the set temperature, it switches off if it is higher than the set temperature.

If the device is in the “**Switch**” function, the output will turn on when the Manual mode is selected. By selecting the “**Off**” mode the output can turn off.

In the case of the “**Garage door/Impulse**” function, the device can issue a pulse by pressing the “**OPEN/CLOSE**” button, which can be used to e.g. open/close a garage door. The duration of the impulse can be set freely. You can also set the “**Response Time**” to change how often it is possible to give the Open/Close impulse.

c) “Schedule” mode

When the “**Schedule**” mode is selected, the thermostat controls the connected device according to a preset program.


Modifying a program using the *COMPUTHERM B Series* application:

To change the thermostat’s program, click on the clock icon under the thermostat’s name. To change the program for a given day, click on the abbreviation of

the day. By default, each day has a switch from 00:00 to 24:00, which is inactive. To activate the switch, click on the right arrow next to the switching time of the selected day and then on the On/Off switch.

If you use the device in:

- **“Thermostat”** function, you can set the temperature for every switch on the slider.
- **“Switch”** function, you can switch between On/Off state of the output.


It is possible to create another switch by clicking on the **“Add period”** button for the given day. Up to 8 switches can be set per day. Switches created for one day are displayed during the selected day. The switching times can be changed by clicking on the switching times. To change the temperature for a particular period, click the right arrow next to the period. Here you can select the desired temperature on the circular slider. You can delete switches by clicking the  icon next to the slider. You can go back by pressing the left arrow.

By clicking the copy button below the abbreviations for the days, the set program of the given day can be copied to the previous/next day, so it is not necessary to program the other days separately if you want to set the same program. By clicking on the **“Reset schedule”** button, the entire programming set for the week can be deleted.

Modifying a program using the internet browser:

To change the thermostat's program, click on the clock icon under the thermostat's name.

To change the program for a given day, click the bar next on the abbreviation of the day. By default, each day has a switch from 00:00 to 24:00, which is inactive. To activate the switch, click on the bar of selected day and then on the On/Off switch. If using the device in “**Thermostat**” function, you can set the temperature for that switch on the slider. If not use in thermostat function during that switch a output On/Off state can be selected.

It is possible to create another switch by clicking on the “**Add period**” button for the given day. This divides the existing connection into two nearly identical parts. Up to 8 switches can be set per day. It is possible to change the switching time in the day by moving the switching point. To change the temperature for a particular period, click on the temperature displayed on the axis. You can also delete switches in the window that appears by clicking on the “” icon.


By clicking the copy button above or below the abbreviations for the days, the set program of the given day can be copied to the previous/next day, so it is not necessary to program the other days separately if you want to set the same program. By clicking on the „**Reset schedule**” button, the entire programming set for the week can be deleted.

d) “**Boost**” mode

The “**Boost**” mode is accessed from the main screen. Use this function to change the currently selected program. During the setting, you can see how long the function will be active. During the countdown, turn the output On/Off according to the temperature

set on the circular slider and the measured temperature. When the timer expires, the thermostat returns to the mode it was in before the “**Boost**” mode was turned on.

e) Manual mode On/Off switch with the button on the thermostat

You can also switch the thermostat On / Off manually using the button on the side of the thermostat. This can be especially useful when the thermostat is not available via internet for some reason. By pressing the button, the thermostat enters the “**Manual**” mode and switches the output according to a preset temperature. You can set the temperature for manual control in the web interface after clicking on the far right “” icon in the row below the product name. Pressing the button on the side of the product repeatedly switches the thermostat between “**Off**” and “**Manual**” mode.

11. PRACTICAL ADVICE, TACKLING ANY PROBLEMS THAT MAY OCCUR

Problem with the Wi-Fi connection

When the product cannot be connected to a Wi-Fi network or cannot be controlled via the Internet because the connection between the product and the Internet interface is lost and the “Connecting” text appears on the interface, we recommend to check the list of **Frequently Asked Questions** (FAQ) collected on our website and follow the steps described. As long as the thermostat is not available via the Internet it is possible to switch it On/Off manually using the button on the side of the product as described in Section **10. e**.

Usage of the application

The phone/tablet application is under continuous improvement. We propose to update the application to the latest version because user experience is improved continuously and new functions are accessible in the updated versions.

FREQUENTLY ASKED QUESTIONS

When you think that your appliance is operating incorrectly or encounter any problem while the appliance is being used then we recommend you to read the Frequently Asked Questions (FAQ) available on our website, where we collected the problems and questions that most frequently occur while our appliances are being used, along with the solutions thereto:

<http://www.computherm.info/en/faq>



The vast majority of the problems encountered can be solved easily by using the hints available on our website, without seeking professional help. If you have not found a solution to your problem, please pay a visit to our qualified service.

Warning! The manufacturer does not assume responsibility for any direct or indirect damages and loss of income occurring while the appliance is being used.

12. PRODUCT INFORMATION AND TECHNICAL DATA

Trademark: **COMPUTHERM**

Model identifier: **B300**

Temperature control class: **I. class**

Contribution to the efficiency of seasonal space heating: **1 %**

Temperature measurement range: -55 °C – +125 °C (in 0.1 °C increments)

Temperature measurement accuracy: ±0.5 °C (between -10 °C and +85 °C)

Temperature sensor type: Dallas DS18B20 digital temperature measurement sensor

Adjustable temperature range: -55 °C – +100 °C (in 0.1 °C increments)

Adjustable switching sensitivity: 0 °C — ±74 °C (in 0.1 °C increments)

Power supply of receiver unit: 100-240 V AC; 50/60 Hz

Switchable voltage: max. 30 V DC/250 V AC

Switchable current: 16 A (4 A inductive load)

Operating frequency: Wi-Fi (b/g/n) 2.4 GHz

Operating humidity: 5 % — 90 % (without condensation)

Storage temperature: -20 °C ... + 60 °C

Protection against environmental impacts: IP20

Power consumption: max. 1 W

Weight (thermostat + temp. sensor): 115 g

The **COMPUTHERM B300** type thermostat complies with the requirements of directives RED 2014/53/EU and RoHS 2011/65/EU



Manufacturer: QUANTRAX Kft.

Fülemüle u. 34., Szeged, H-6762, Hungary

Phone: +36 62 424 133 • Fax: +36 62 424 672

E-mail: iroda@quantrax.hu

Web: www.quantrax.hu • www.computherm.info



Origin: EU

Copyright © 2020 Quantrax Ltd. All rights reserved.