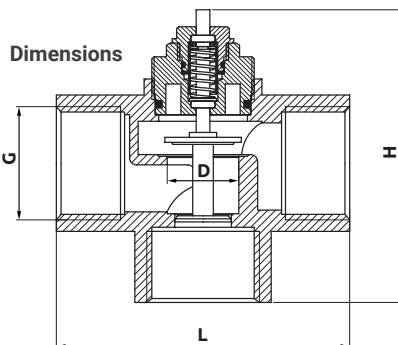
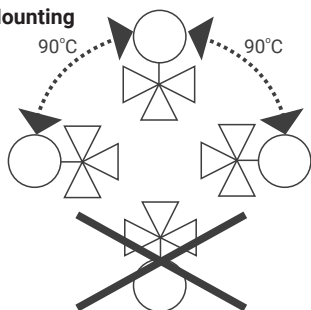


Type	Size	Connections	k_{vs}	k_{vs}
			A ↔ AB [m ³ /h]	A ↔ B [m ³ /h]
DN20-3	DN20	Internally thr threaded Rp	3.5	2.45
DN25-3	DN25		5.0	3.5

Example Mounting



Dimensions	Valve Type	DN	Rp [inch]	G [mm]	D [mm]	L [mm]	H [mm]	Weight [kg]
	DN20-3	20	Rp 3/4	G 3/4	16.5	65	71	0.40
	DN25-3	25	Rp 1	G1	21	80	75	0.66

Technical Data

Functional data	Permissible operating pressure	1600 kPa (16 bar)
	Valve characteristic	The valves are designed for ON/OFF control only.
	Leakage rate	0 ... 0.05 % of k_{vs} - value
	Compatible media	Chilled water, low-temperature hot water and water with antifreeze
	Medium temperature	1 ... 110°C
Materials	Nominal stroke	2.5 mm
	Valve body	Hot-pressed brass
Dimensions/Weight	Stem	Stainless steel
	Dimensions	Refer to «Dimensions»
	Actuator connection	M30 x 1.5
	Weight	Refer to «Dimensions»

Equipment Combinations

Actuator Name	Actuator Type			
DF-110E	Electro-thermal	230 V AC	opened/closed	approx. 4.5 min
DF-230	Electro-thermal	230 V AC	closed	approx. 4 min
DF-330	Electro-thermal	230 V AC	closed	approx. 4 min